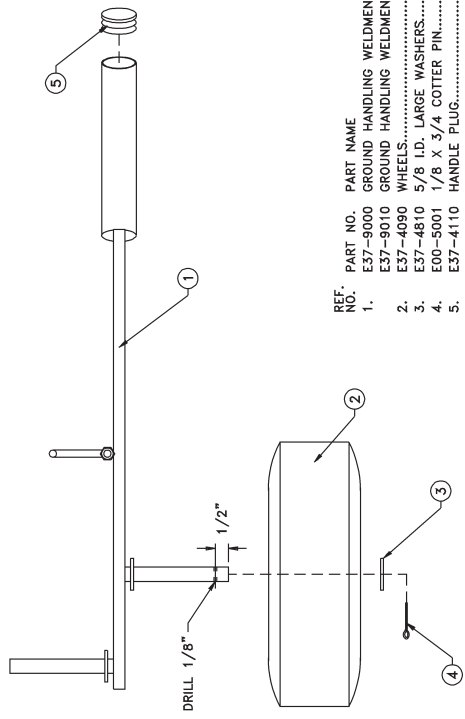


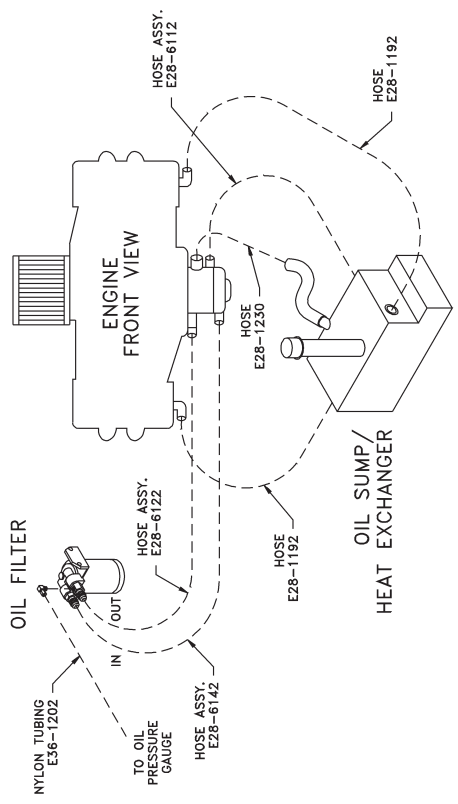
1 2 3 4 5 6 7 8 9

GROUND HANDLING WHEELS

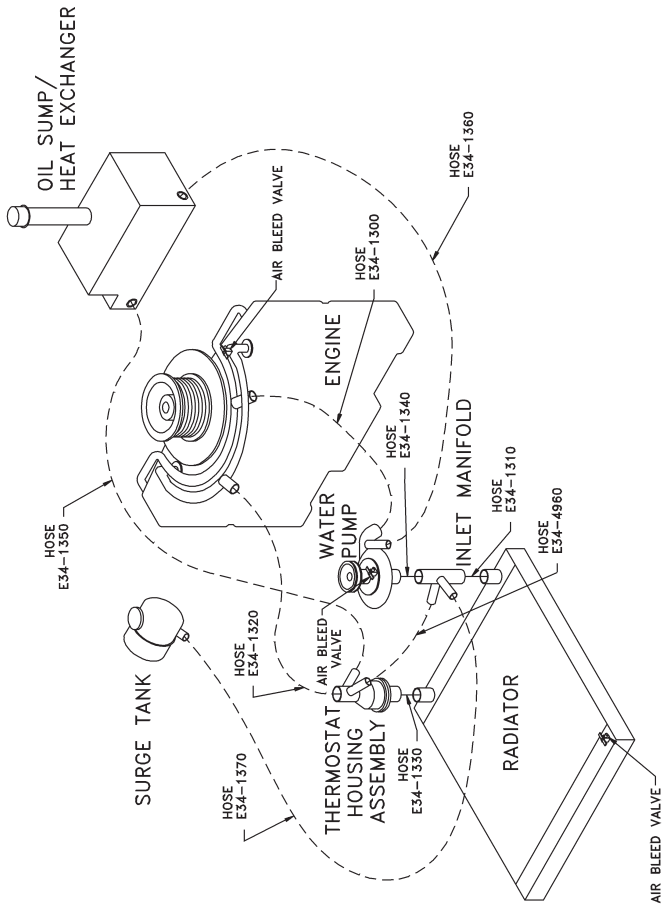


REF. NO.	PART NO.	PART NAME	QTY.
1.	E37-9000	GROUND HANDLING WELDMENT (PILOT) ...1	1
2.	E37-9010	GROUND HANDLING WELDMENT (PASS) ...1	1
3.	E37-4090	WHEELS.....	2
4.	E00-5001	1/8 X 3/4 COTTER PIN.....	2
5.	E37-4110	HANDLE PLUG.....	2

OIL SYSTEM



COOLING SYSTEM



ROTORWAY INTERNATIONAL
CHANDLER, ARIZONA
SCALE: NONE
APPROVED BY: [Signature]
DATE: 11-1-84
REVISED: 8-21-96
GROUND HANDLING WHEELS
OIL SYSTEM, COOLING SYSTEM
DRAWING NUMBER: E37-2000-1

8-21-96 REVISION 1: E34-4960 HOSE ADDED